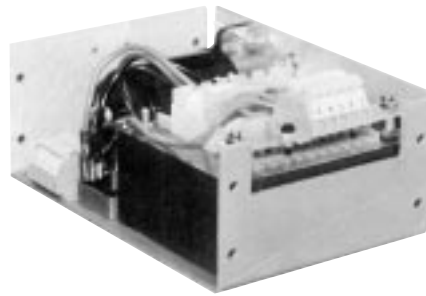


Convel 33000 Series Open Frame AC/DC Unregulated Linear Power Supplies

These high quality unregulated linear power supplies are suitable for a wide range of applications where a fully regulated DC source is not required.

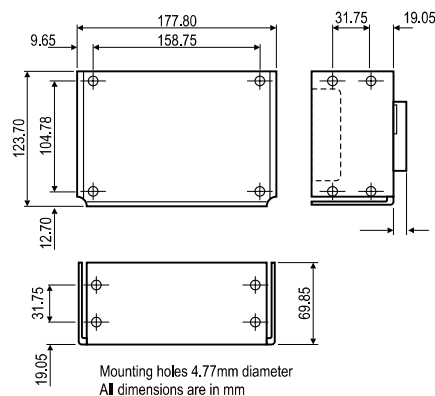
- ◆ Low cost
- ◆ Suitable for many industrial applications e.g. relays, solenoids, DC motors etc.
- ◆ Universal input
- ◆ 3.75kV isolation safety transformer
- ◆ Quality UK design and manufacture



GENERAL SPECIFICATIONS

Input	115/230VAC 50/60Hz
D.C. Output	See Model Chart
Load Regulation	20% or 3V whichever is the greater for 20 to 100% load change
Output Ripple & Noise	1.5Vrms maximum
Operating Temperature	0°C to +50°C
Isolation	Input to ground: 3750VAC min. Input to output: 3750VAC min. Output to ground: 500VAC min.
Overall Dimensions	l x w x h: 177.8 x 123.7 x <86.0mm
Weight	330xxA: 3.5kg 330xxB: 3.6kg 33024C: 4.3kg

Model	Output Voltage Volts	Output Current Amps
33012A	12	10
33012B	12	20
33024A	24	5
33024B	24	10
33024C	24	20
33048B	48	5



Calex Electronics Limited

PO Box 2, Leighton Buzzard
Bedfordshire, England LU7 4AZ
Tel: +44 (0)1525 373178/853800
Fax: +44 (0)1525 851319
Lo-call Tel: 0845 3108053
E-mail: info@calex.co.uk
Online: <http://www.calex.co.uk>