

Convel 23000 Series Encapsulated AC/DC Linear Regulated Power Supplies

The 23000 series is a range of PCB mounting encapsulated power supplies. They provide outputs of either 5 volts DC at 5 W or 12, 15 and 24 volts DC at 6 W.

This series offers tight line and load regulation of 0.5 % on most models, with an output ripple of less than 5 mV rms.

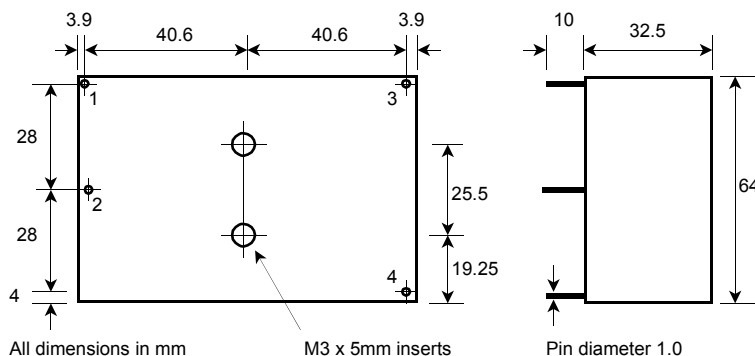
An operating temperature range of up to 40 °C without derating and up to 70 °C derating linearly to 20 % allow these robust units to be used in most environments.



GENERAL SPECIFICATIONS

AC Input	230VAC nominal (210 to 250VAC) 50/60 Hz
DC Output Tolerance	±5% off load
Line Regulation	0.5%
Load Regulation	5V units: 1% 12V to 24V units: 0.5%
Output Ripple	<5mV rms
Input to Output Isolation	3.75kV
Temperature Rating	0 to +40°C (derate linearly to 20% at +70°C)
Temperature Coefficient	<0.03%/°C
Overall Dimensions (l x w x h)	89 x 64 x 32.5mm
Weight	0.5kg

Model	Output Voltage Volts	Output Current mA
23005	5	1000
23012	12	500
23015	15	400
23024	24	250



Pin	Function
1	+ Output Voltage
2	- Output Voltage
3	AC Input
4	AC Input

Calex Electronics Limited

PO Box 2, Leighton Buzzard
Bedfordshire, England LU7 4AZ
Tel: +44(0) 1525 373178/853800
Fax: +44 (0) 1525 851319
Lo-call Tel: 0845 3108053
E-mail: info@calex.co.uk
Online: <http://www.calex.co.uk>